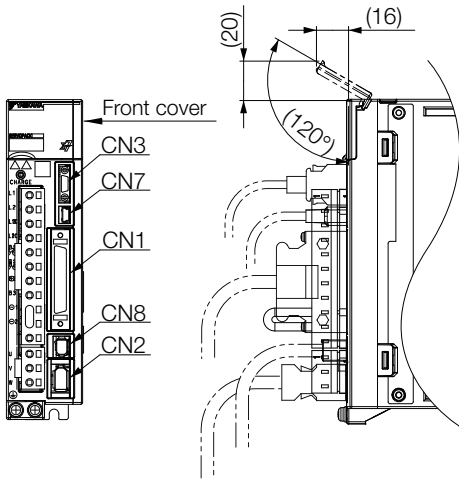


Front Cover Dimensions and Connector Specifications

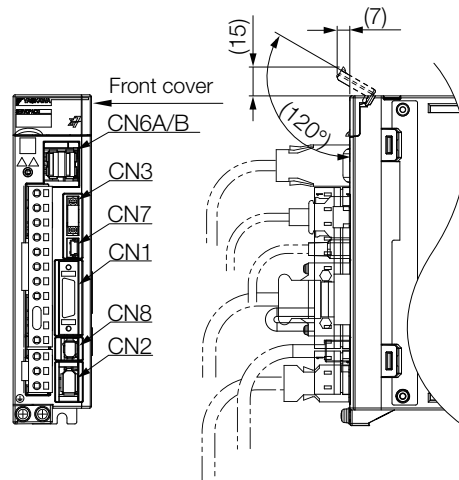
The front cover dimensions and panel connectors depend on the SERVOPACK interface. Refer to the following figures.

Front Cover Dimensions

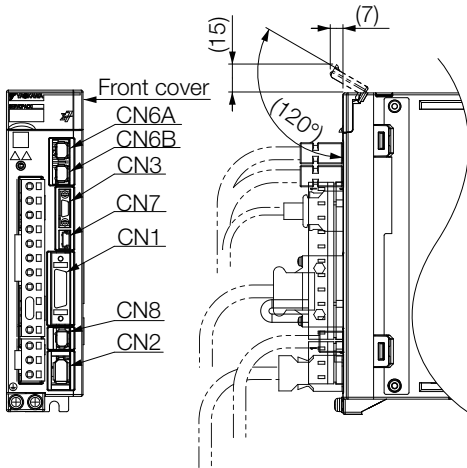
Sigma-7S
Analog Voltage/Pulse Train Reference SERVOPACKs



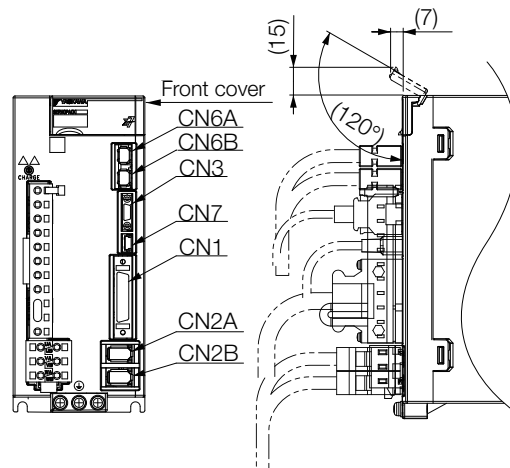
Sigma-7S
MECHATROLINK-II Communications Reference SERVOPACKs



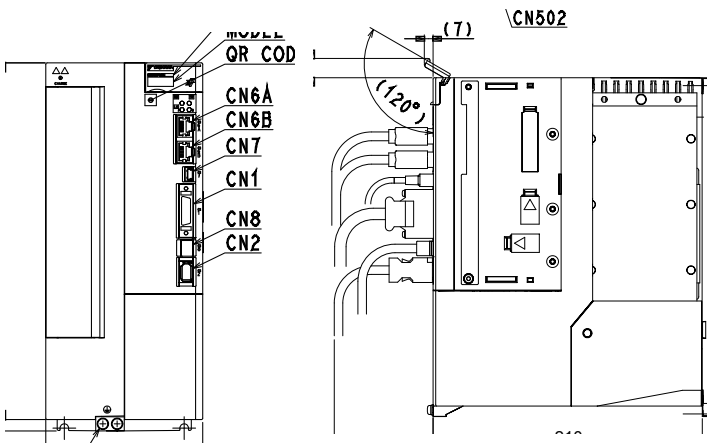
Sigma-7S
MECHATROLINK-III Communications Reference SERVOPACKs



Sigma-7W
MECHATROLINK-III Communications Reference SERVOPACKs



Sigma-7S
EtherCAT Communications Reference SERVOPACKs



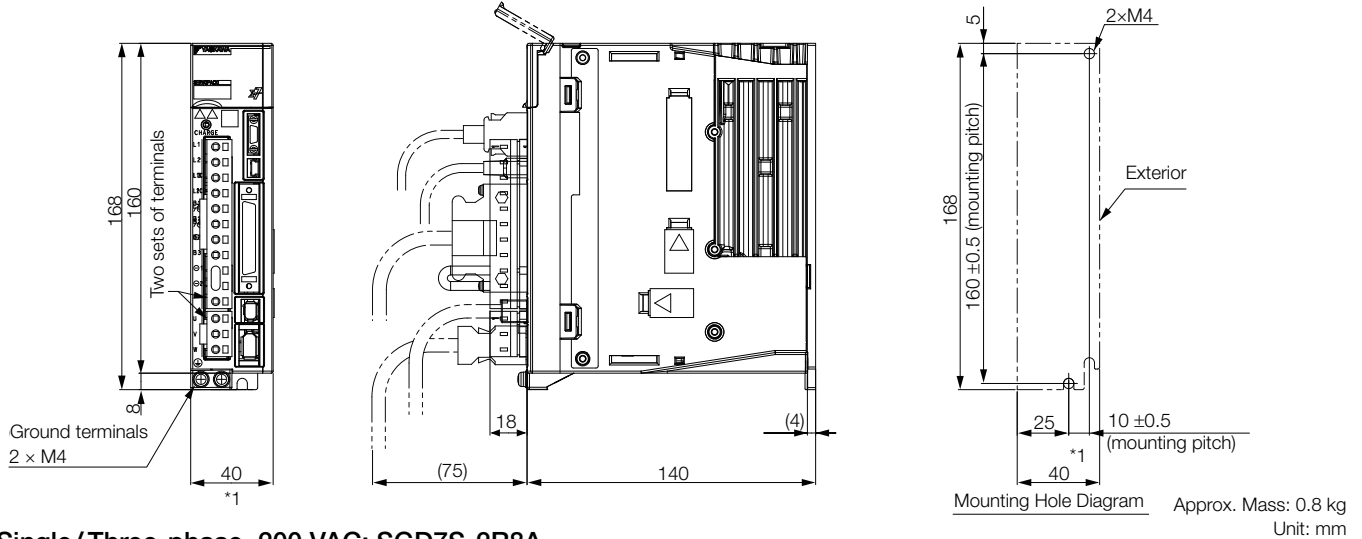
Connector Specifications

SERVOPACK	Connector No.	Model	Number of Pins	Manufacturer
Sigma-7S Analog Voltage/Pulse Train Reference SERVOPACK	CN1	10250-59A3MB	50	Sumitomo 3M Ltd.
	CN2	3E106-0220KV	6	Sumitomo 3M Ltd.
	CN3	HDR-EC14LFDTN- SLD-PLUS	14	Honda Tsushin Kogyo Co., Ltd.
	CN7	2172034-1	5	Tyco Electronics Japan G.K.
	CN8	1981080-1	8	Tyco Electronics Japan G.K.
Sigma-7S MECHATROLINK-II Communications Reference SERVOPACK	CN1	10226-59A3MB	26	Sumitomo 3M Ltd.
	CN2	3E106-0220KV	6	Sumitomo 3M Ltd.
	CN3	HDR-EC14LFDTN- SLD-PLUS	14	Honda Tsushin Kogyo Co., Ltd.
	CN6A/B	1903815-1	8	Tyco Electronics Japan G.K.
	CN7	2172034-1	5	Tyco Electronics Japan G.K.
	CN8	1981080-1	8	Tyco Electronics Japan G.K.
Sigma-7S MECHATROLINK-III Communications Reference SERVOPACK	CN1	10226-59A3MB	26	Sumitomo 3M Ltd.
	CN2	3E106-0220KV	6	Sumitomo 3M Ltd.
	CN3	HDR-EC14LFDTN- SLD-PLUS	14	Honda Tsushin Kogyo Co., Ltd.
	CN6A, CN6B	1981386-1	8	Tyco Electronics Japan G.K.
	CN7	2172034-1	5	Tyco Electronics Japan G.K.
	CN8	1981080-1	8	Tyco Electronics Japan G.K.
Sigma-7W MECHATROLINK-III Communications Reference SERVOPACK	CN1	10236-59A3MB	36	Sumitomo 3M Ltd.
	CN2A, CN2B	3E106-2230KV	6	Sumitomo 3M Ltd.
	CN3	HDR-EC14LFDTN- SLD-PLUS	14	Honda Tsushin Kogyo Co., Ltd.
	CN6A, CN6B	1981386-1	8	Tyco Electronics Japan G.K.
	CN7	2172034-1	5	Tyco Electronics Japan G.K.
	CN8	1981080-1	8	Tyco Electronics Japan G.K.
Sigma-7S EtherCAT Communications Reference SERVOPACK	CN1	10226-59A3MB	29	Sumitomo 3M Ltd.
	CN2	3E106-0220KV	6	Sumitomo 3M Ltd.
	CN6A, CN6B	1-1734579-4	8	Tyco Electronics Japan G.K.
	CN7	2172034-1	5	Tyco Electronics Japan G.K.
	CN8	1981080-1	8	Tyco Electronics Japan G.K.

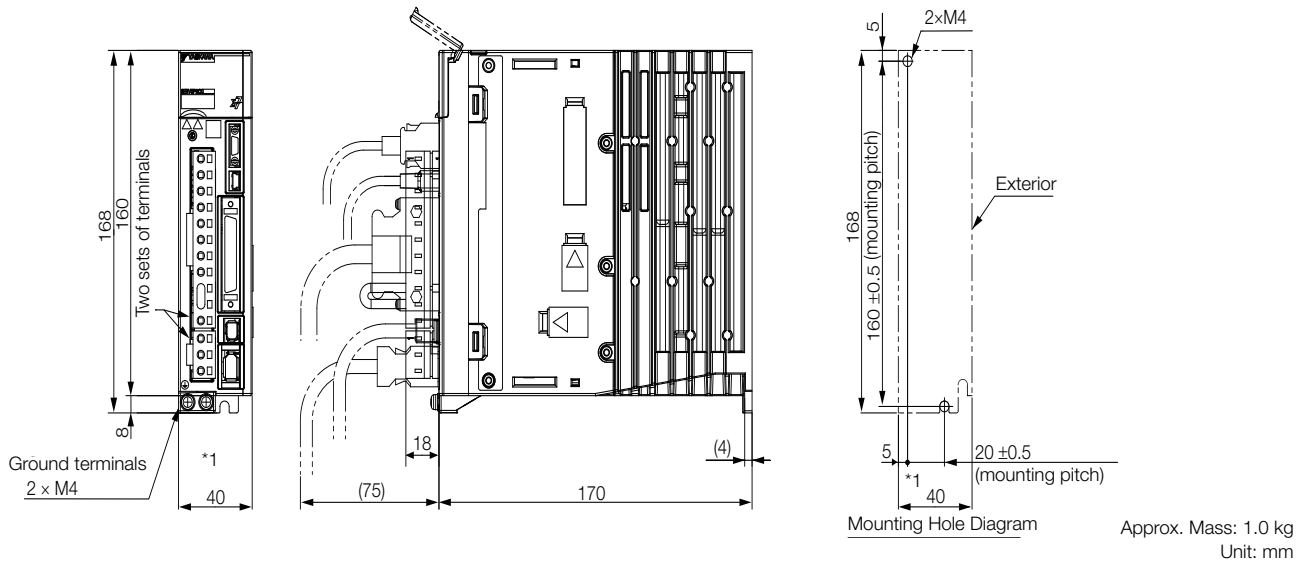
Note: The above connectors or their equivalents are used for the SERVOPACKs.

Sigma-7S SERVOPACKs: Base-mounted

Single/Three-phase, 200 VAC: SGD7S-R70A, -R90A, and -1R6A

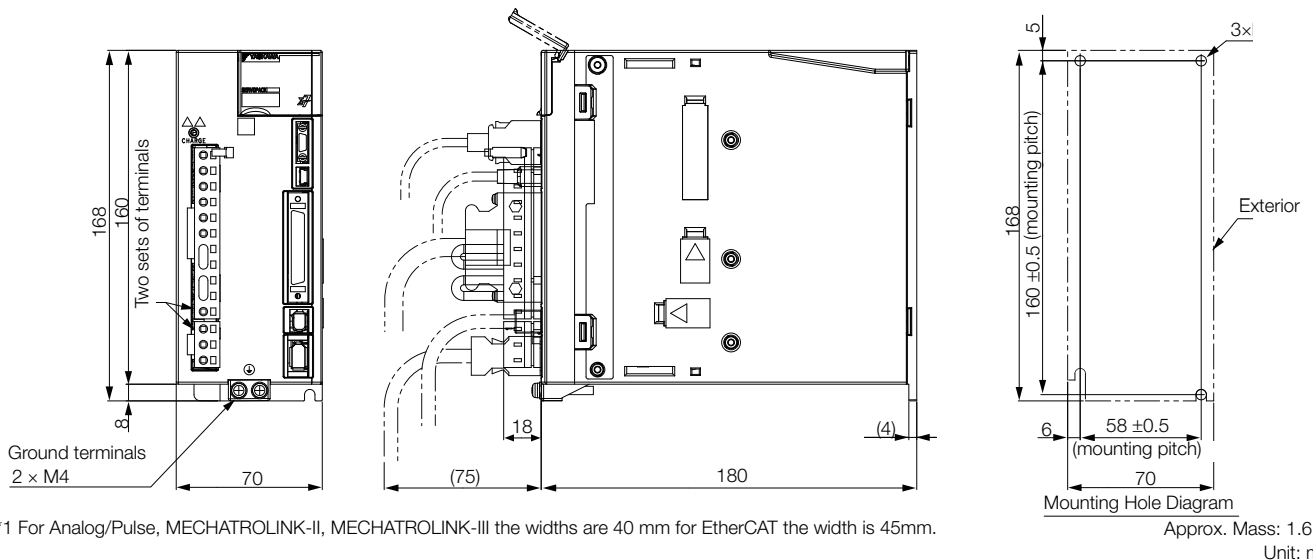


Single/Three-phase, 200 VAC: SGD7S-2R8A



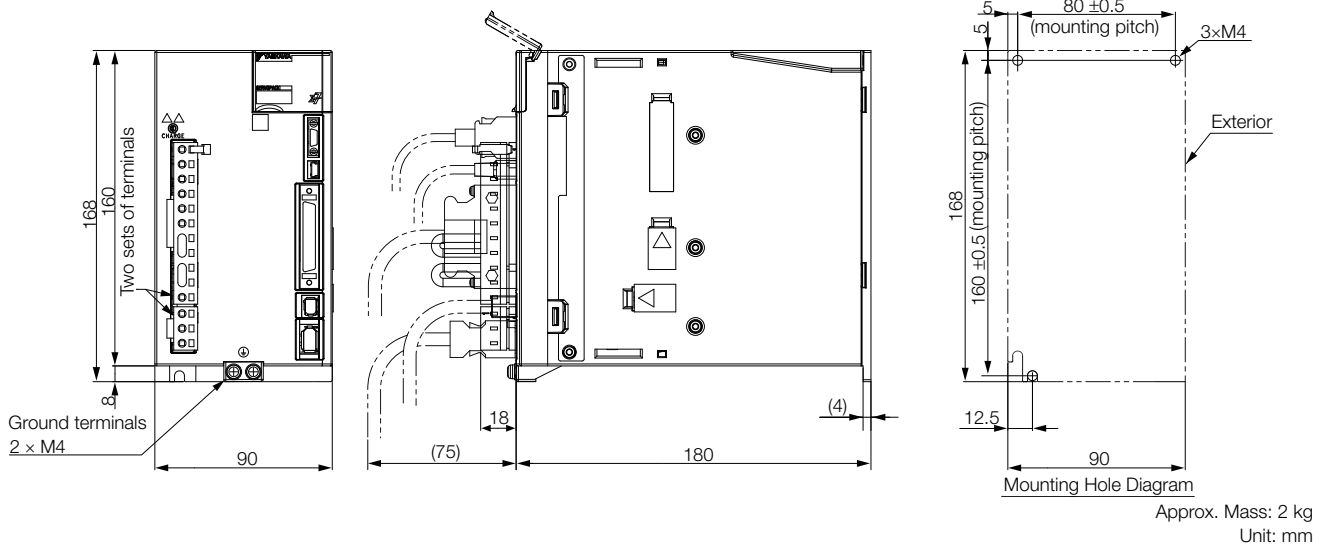
Single/Three phase 200VAC SGD7S-SGD7S-5R5A

Three phase 200VAC SGD7S-3R8A and SGD7S-7R6A

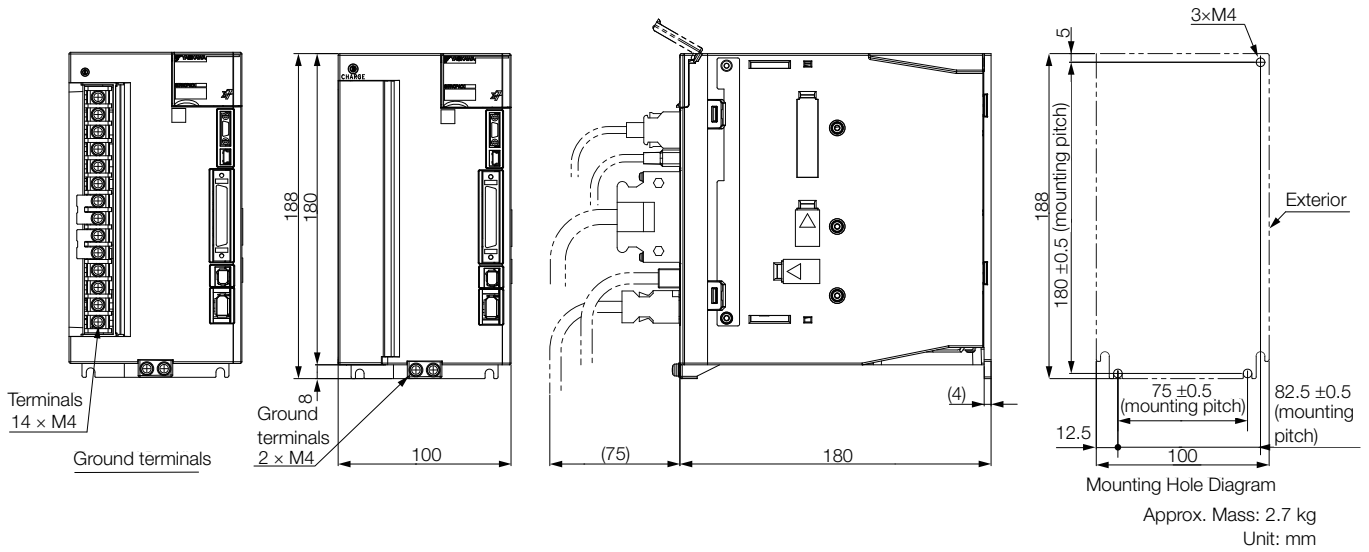


*1 For Analog/Pulse, MECHATROLINK-II, MECHATROLINK-III the widths are 40 mm for EtherCAT the width is 45mm.

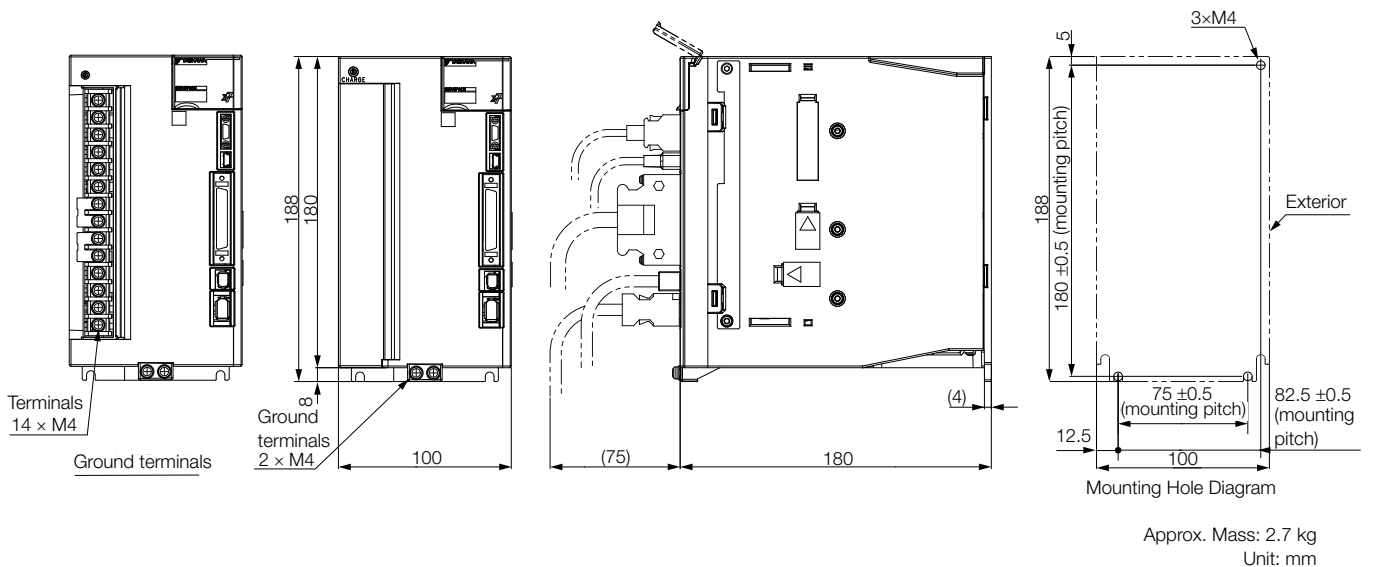
Three-phase, 200 VAC: SGD7S-120A



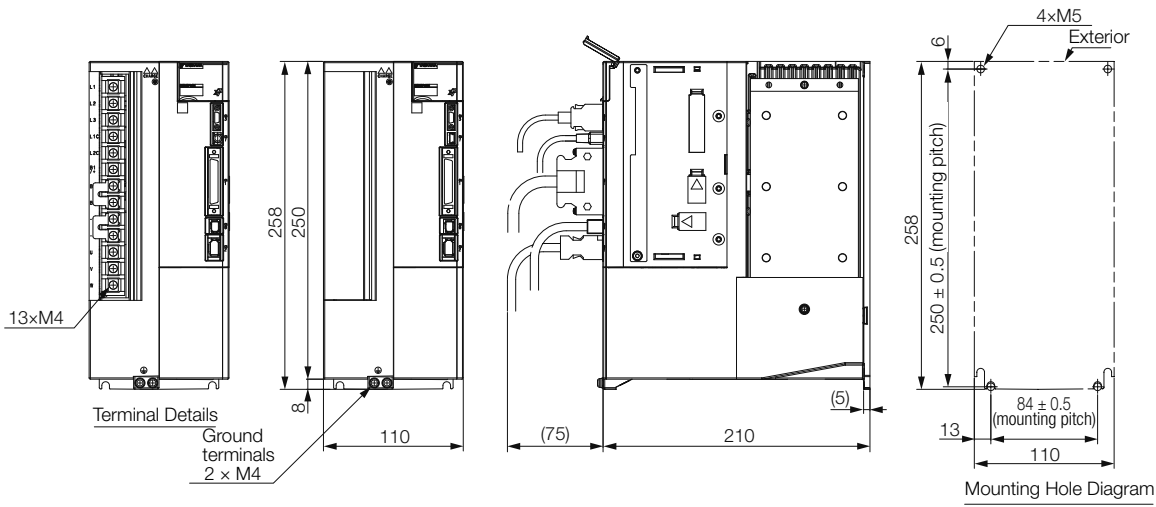
Single-phase, 200 VAC: SGD7S-120A...08



Three-phase, 200 VAC: SGD7S-180A and -200A

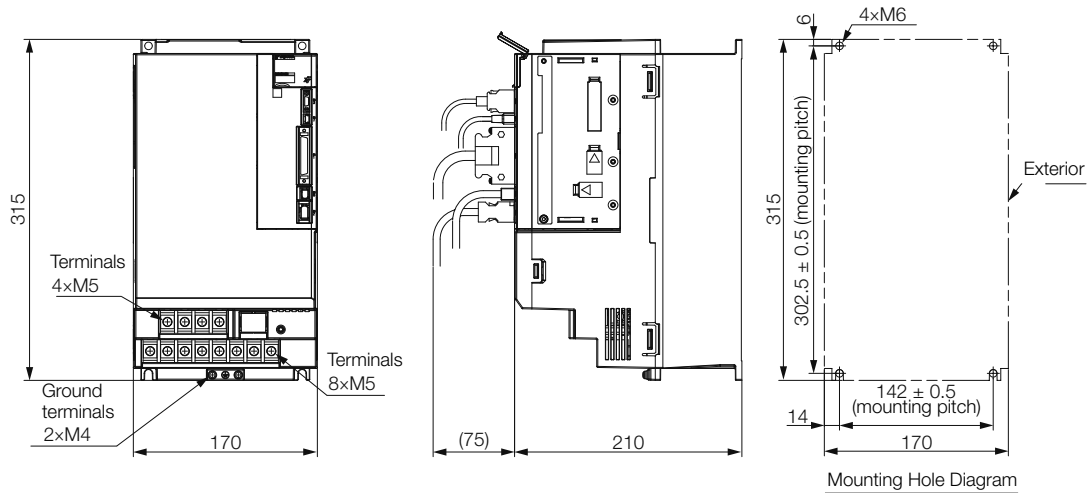


Three-phase, 200 VAC: SGD7S-330A



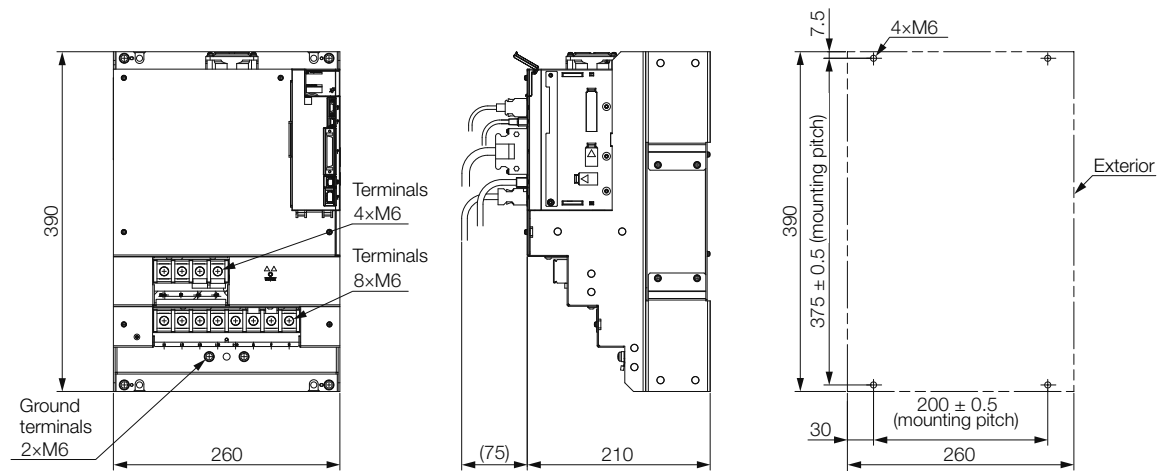
Approx. Mass: 4.4 kg
Unit: mm

Three-phase, 200 VAC: SGD7S-470A and -550A



Approx. Mass: 8.2 kg
Unit: mm

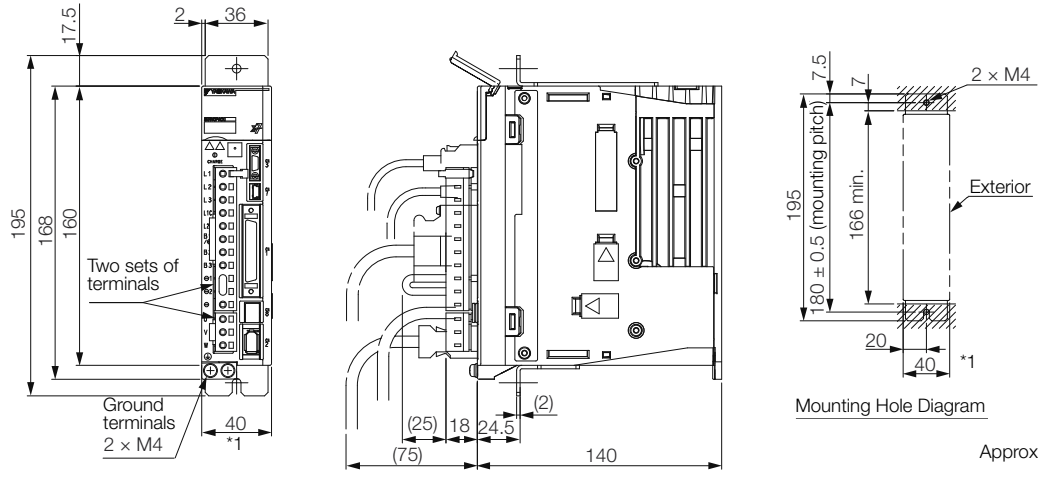
Three-phase, 200 VAC: SGD7S-590A and -780A



Approx. Mass: 15.5 kg
Unit: mm

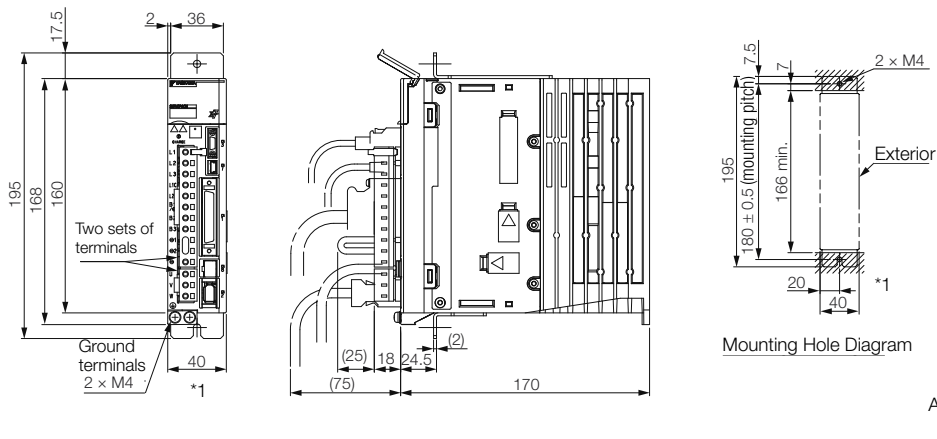
Sigma-7S SERVOPACKs: Rack-mounted Hardware Option Code: 001

Single-/Three-phase, 200 VAC: SGD7S-R70A, -R90A, and -1R6A

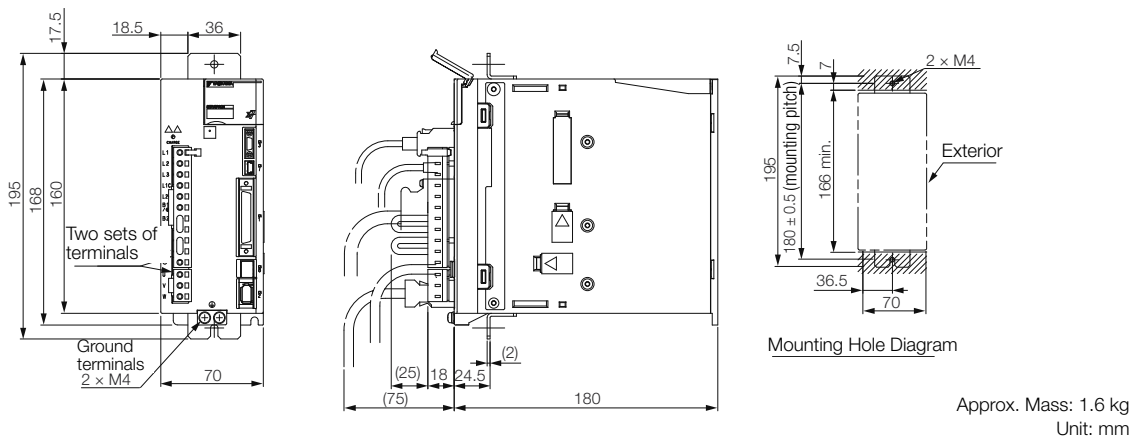


*1 For Analog/Pulse, MECHATROLINK-II, MECHATROLINK-III the widths are 40 mm for EtherCAT the width is 45mm.

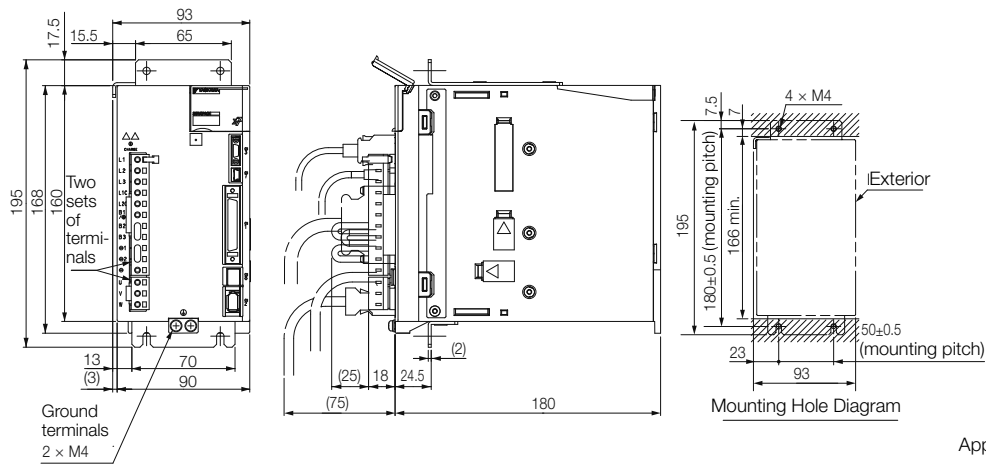
Single-/Three-phase, 200 VAC: SGD7S-2R8A



Single/Three phase 200VAC SGD7S-SGD7S-5R5A
Three phase 200VAC SGD7S-3R8A and SGD7S-7R6A



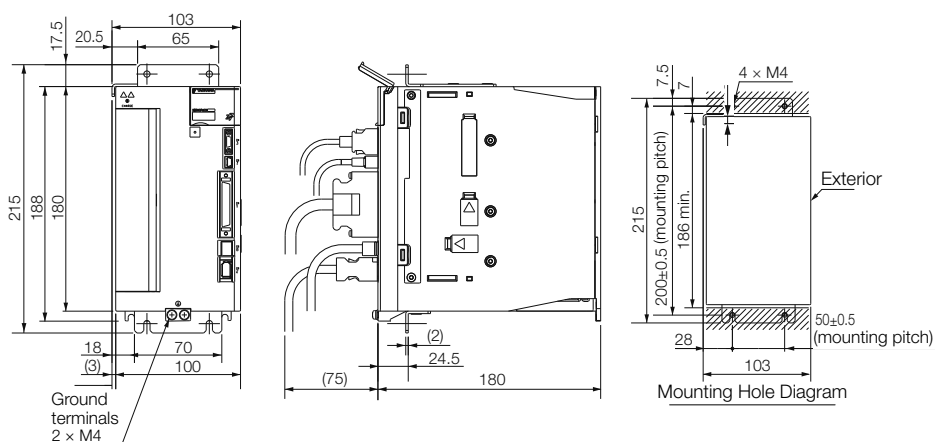
Three-phase, 200 VAC: SGD7S-120A



Approx. Mass: 2.2 kg
Unit: mm

*1 For Analog/Pulse, MECHATROLINK-II, MECHATROLINK-III the widths are 40 mm for EtherCAT the width is 45mm.

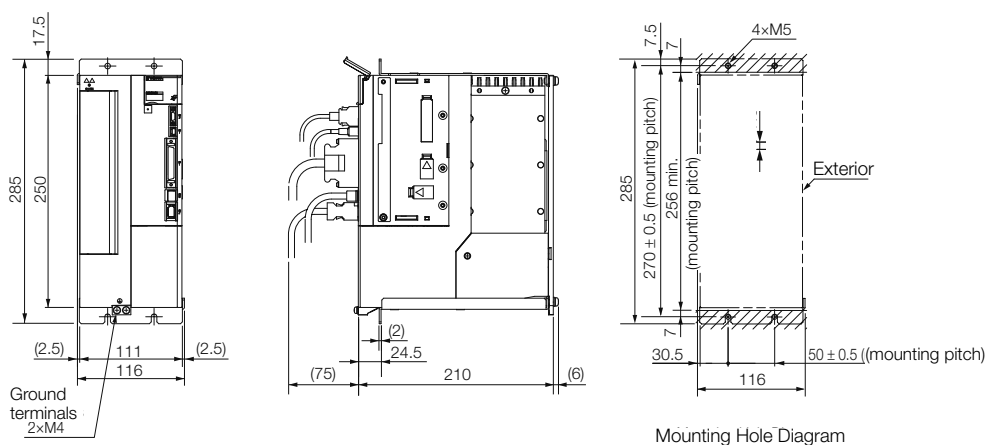
Three-phase, 200 VAC: SGD7S-180A and -200A



Approx. Mass: 2.7 kg
Unit: mm

*1 For Analog/Pulse, MECHATROLINK-II, MECHATROLINK-III the widths are 40 mm for EtherCAT the width is 45mm.

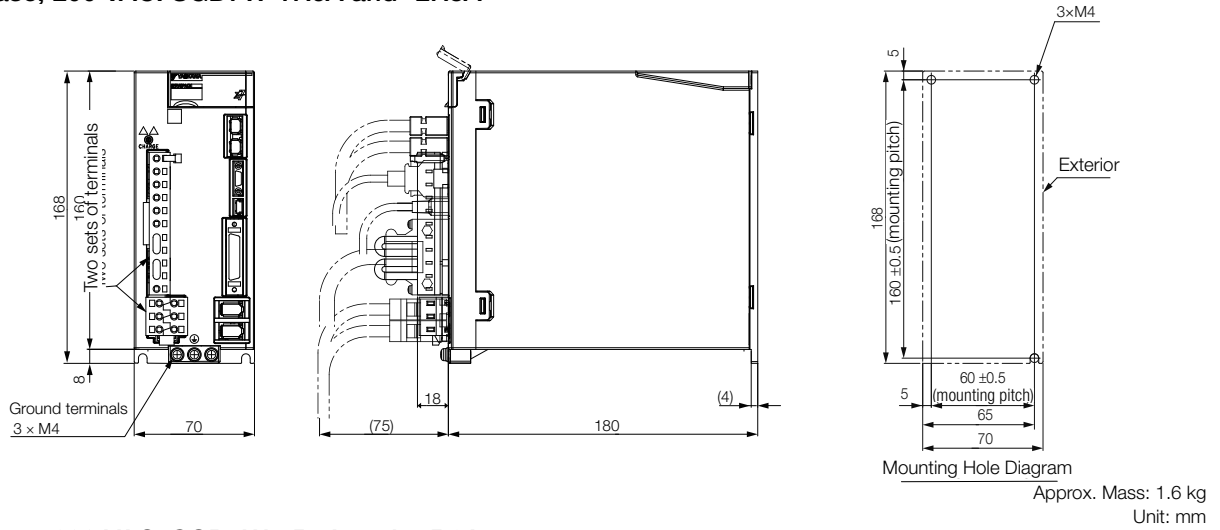
Three-phase, 200 VAC: SGD7S-330A



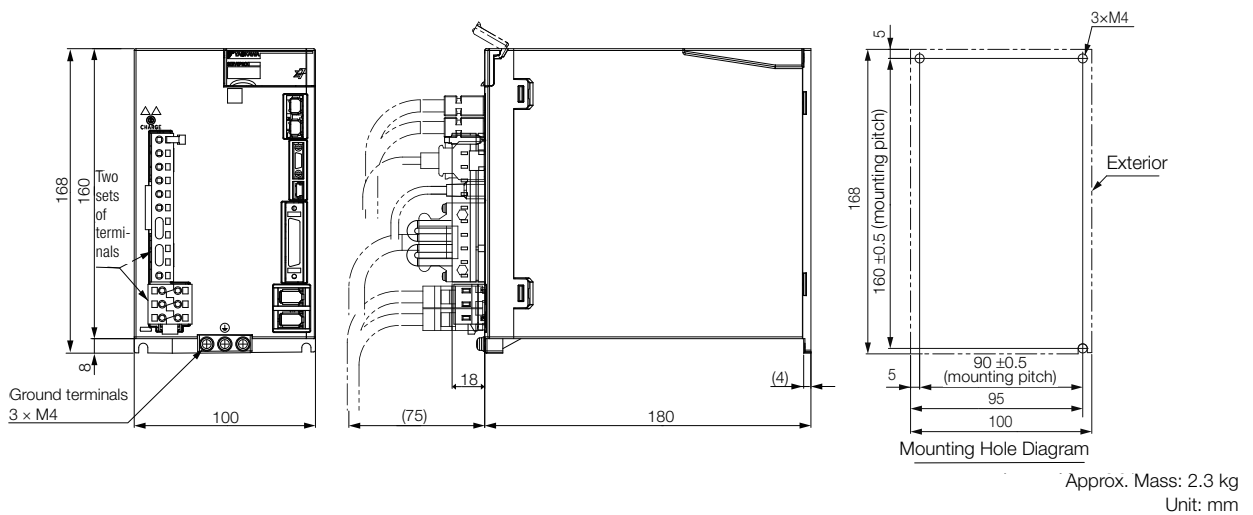
Approx. Mass: 4.9 kg
Unit: mm

Sigma-7W SERVOPACKs: Base-mounted

Three-phase, 200 VAC: SGD7W-1R6A and -2R8A

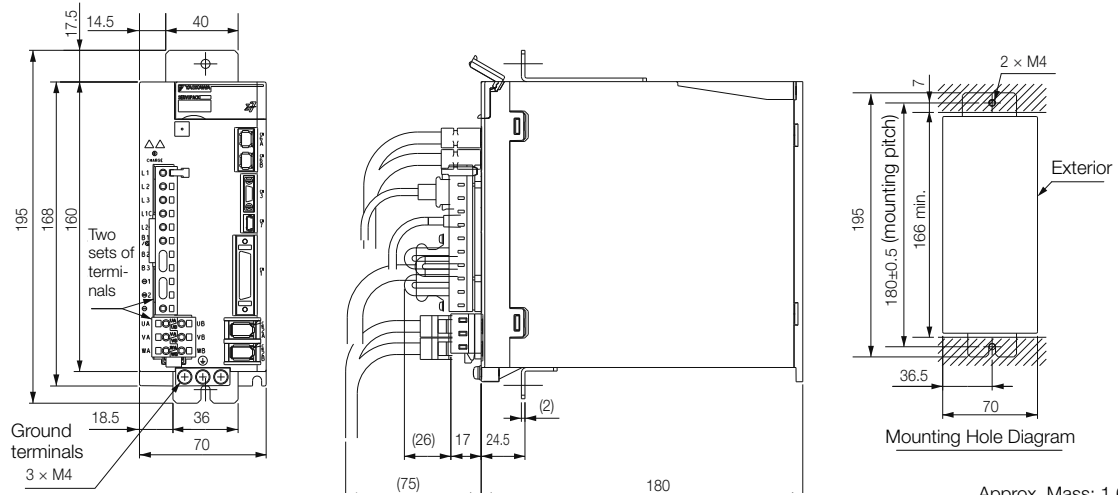


Three-phase, 200 VAC: SGD7W-5R5A and -7R6A



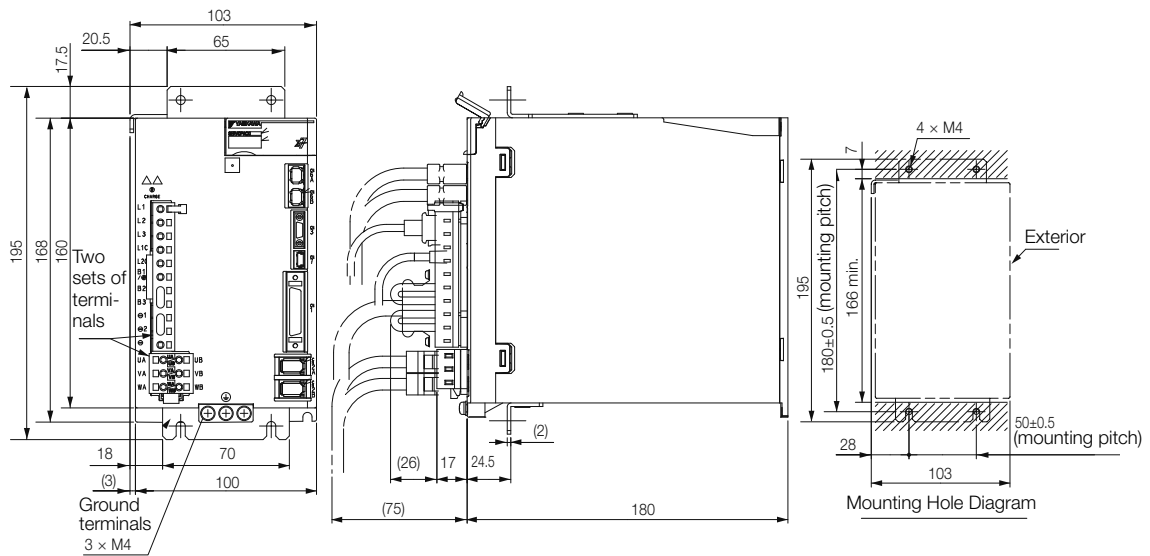
Sigma-7W SERVOPACKs: Rack-mounted

Three-phase, 200 VAC: SGD7W-1R6A and -2R8A



Approx. Mass: 1.6 kg
Unit: mm

Three-phase, 200 VAC: SGD7W-5R5A and -7R6A



Approx. Mass: 2.3 kg
Unit: mm